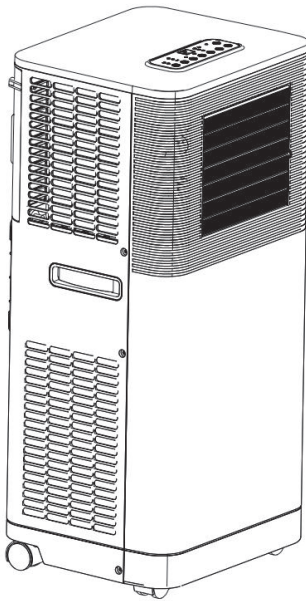


**PORTABLE AIR CONDITIONER**

**INSTRUCTION MANUAL for PAC-450**



☆ **Read and retain these instructions for future reference**



## SPECIFICATION

<b>Model no.</b>	<b>PAC-450</b>
<b>Power supply</b>	220-240V~, 50Hz
<b>Cooling capacity</b>	12000BTU
<b>Power consumption</b>	1300W
<b>Compressor</b>	rotary
<b>Refrigerant</b>	R410A
<b>Fan speed</b>	3
<b>Timer</b>	1~24 hours
<b>Working temperature</b>	18 °C- 32°C (Cooling)
<b>Exhaust pipe</b>	Ø 150 x 1500 mm
<b>N.W.</b>	25.1 kgs
<b>Product size (W x D x H)</b>	330 x 329 x 704 mm
<b>Climate class</b>	T3

### REMARK:

1. Measuring condition for above is as per EN 14511:  
Cooling – DB= 35°C , WB= 24°C  
DB = temperature of dry bulb = room temperature  
WB = temperature of wet bulb = relative humidity.
2. Test condition for data in our rating label is as per safety regulation: EN60335-2-40
3. Current & Fuse : F2AL 250V or T2AL 250V

## BEFORE USE

### General Cautions

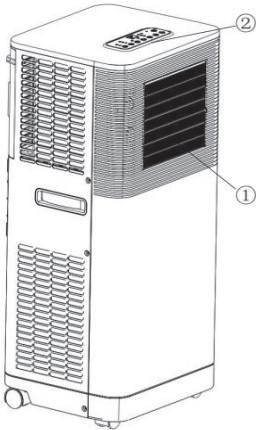
- FOR INDOOR USE ONLY.
- Do not use in cabinet, closet, boats, caravans or similar locations.
- Do not use the unit in swimming pools, washrooms or similar wet areas.
- Leave the unit to stand for 12hours before connecting to the mains supply after transport or when it has been tilted (ex. During cleaning).
- Only use the unit in the upright position on a flat level surface (even during transport!) and at least 50cm from any objects.
- Do not use the unit in a potentially explosive environment containing combustible liquids, gases or dusts.
- Do not use the appliance in the vicinity of flammable or explosive substances or fuels. Never use any paint, cleaning sprays, anti-insect sprays or similar near the unit; this could deform the plastic or cause electrical damage.
- Ensure that there is at least 50cm between the sides of the appliance and any flammable, heating materials.
- Do not place objects on the unit or restrict air inlet/outlet.
- Avoid the unit from splash.
- Closely supervise any children and pets when the unit is in use.
- This appliance can be used by children aged from 8 years and above and persons with reduced physical, sensory or mental capabilities or lack of experience and knowledge if they have been given supervision or instruction concerning use of the appliance in a safe way and understand the hazards involved.
- CHILDREN SHALL NOT PLAY WITH APPLIANCE.
- Cleaning and user maintenance shall not be made by children without supervision.
- Switch off and unplug the unit when not in use.
- Never leave a functioning device unsupervised.
- Do not pull the unit along by the cord.

- Avoid over-twisting, -coiling, -pulling the power cord, never use nylon or iron wire to tide the power cord.
- Make sure that the plug and socket remain visible and accessible at all the time.
- Do not use extension cords.
- Never reach to retrieve the unit if it has fallen in water. In such case, immediately pull the plug. Have the unit checked before using it again.
- IF THE SUPPLY CORD IS DAMAGED, IT MUST BE REPLACED BY AN ELECTRICIAN OR SIMILARLY QUALIFIED PERSON, TO AVOID HAZARD.
- THE MAINS SUPPLY MUST CONFORM TO THE SPECIFICATION SHOWN ON THE RATING PLATE AT THE BACK OF THE UNIT.
- The appliance shall be installed in accordance with national wiring regulations.
- Do not exceed the recommended room size for max. efficiency.
- Close the doors and windows.
- Keep curtains or blinds closed during the sunniest hours of the day.
- Keep filters clean.
- Once room has reached the desired conditions, reduce the setting for temperature and ventilation.
- Do not turn on the appliance if you have discovered damage to the appliance, cord or plug, if the appliance is malfunctioning or if there are signs of any other defect. Return the complete product to the vendor or to a certified electrician for inspection and/or repair. Always ask for original parts. The appliance (incl. cord and plug) may only be opened and/or repaired by properly authorized and qualified persons.
- Suggest to send the unit for professional maintenance periodically.
- ONLY A LICENSED PROFESSIONAL IS ALLOWED TO DISMANTLE OR MODIFY THE APPLIANCE.
- THE MACHINE IS TO BE USED ONLY FOR ITS PRESCRIBED PURPOSE. ANY OTHER USE IS DEEMED TO BE A CASE OF MISUSE. THE USER/OPERATOR, NOT THE MANUFACTUER WILL BE LIABLE FOR ANY DAMAGE OR INJURIES OF ANY KIND CAUSED AS A RESULT OF THIS.
- This appliance is not intended for use by persons (including children) with reduced physical, sensory or mental capabilities, or lack of

experience and knowledge, unless they have been given supervision or instruction concerning use of the appliance by a person responsible for their safety. Children should be supervised to ensure that they do not play with the appliance.

## PARTS

Front



Back

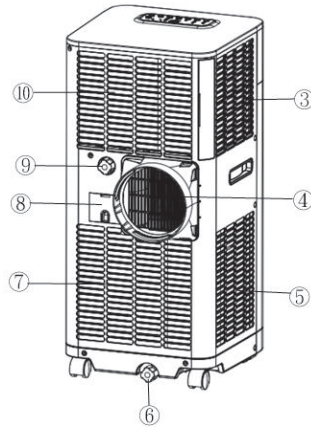


FIG.1

FIG.2

- 1. Air outlet
- 2. Control panel

- 3. Air inlet
- 4. Exhaust air outlet
- 5. Air inlet
- 6. Water stopper/drainage point 1
- 7. Air inlet
- 8. Cord storage
- 9. Water stopper/drainage point 2
- 10. Air inlet

## Accessories

1. Inward adaptor – connect unit with exhaust pipe
2. Exhaust pipe
3. Round adaptor – connect the FLAT type adaptor & exhaust pipe.
4. Flat Type adaptor – connect pipe to window spacer
5. Window spacer 2 – for filling the window spacer & with hole to connect with Flat Type adaptor
6. Window Spacer 1 –for filling the window spacer
7. Fixer for the window kit
8. Washer for the window kit
9. Fixer for the window kit
10. Remote Control
11. Drain tube for continuous drainage

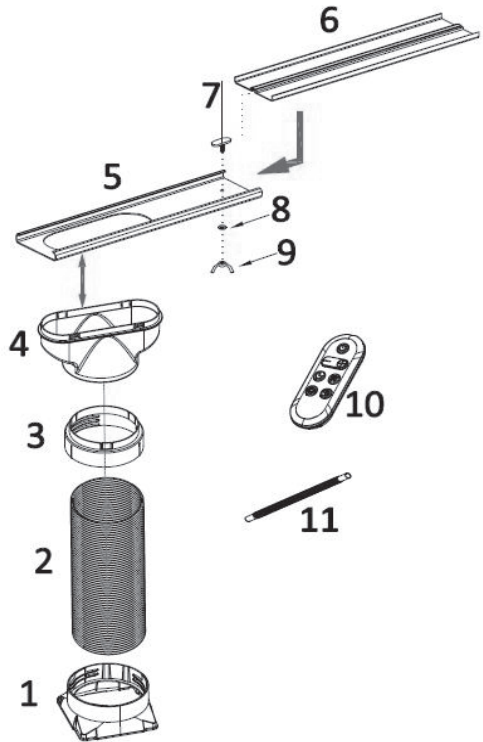


FIG.3

## INSTALLATION

The unit is a portable air conditioner that may be moved from room to room.

Before using your air conditioner, you will need to install the exhaust pipe so that the condensed heat from the appliance are released onto an outside, open-air area.

To install the exhaust pipe, feed the end of the tube through any available window and secure it into place using the included adapter. Ensure the distance between the unit and the window is at least 50cm.

- **Install the adapters and hose to the unit :**

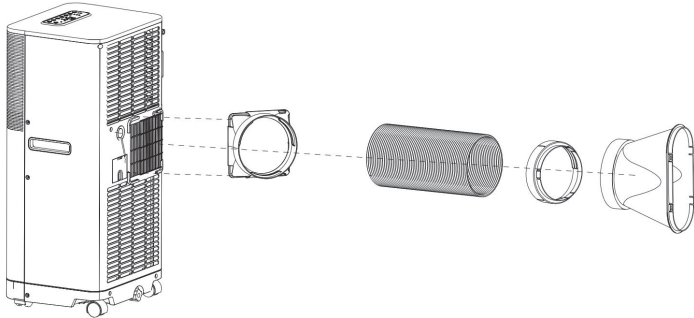


FIG.4

- **Install the window slide (if it's included):**

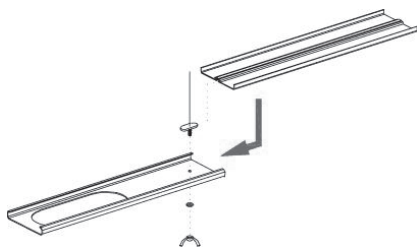


FIG.5

1. Assemble the window kit

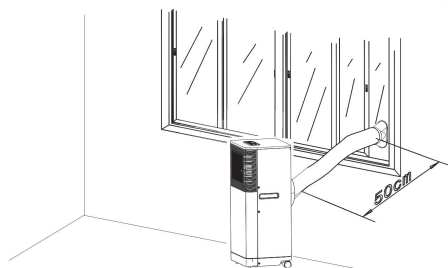


FIG.6

2. Open the window and insert the window slides into the open gap.
3. Close the window until the window kit is held securely. You may need to adjust the size of the window kit and secure it with screws. This technique may also be used for sash windows.
4. Attach the unit (with the hose and adapter) to the window kit.

**Note!** Take care to maintain protection against intruders

### Mounting of the exhaust pipe

- Use only the hose provided and clip exhaust hose to the back of the air conditioner
- Avoid kinks and bends in the exhaust hose as this will cause expelled moist air to build up causing the unit to overheat and shut down. Fig. 7 show correct position
- The hose may be extended from 300mm to 1500mm but for maximum efficiency use the shortest length possible.

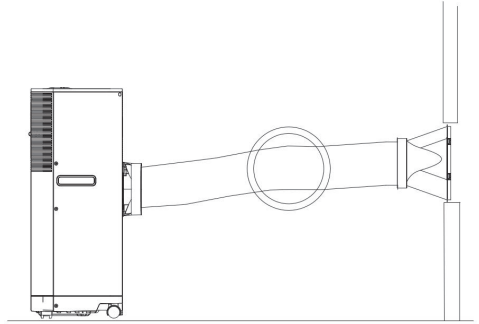


FIG.7

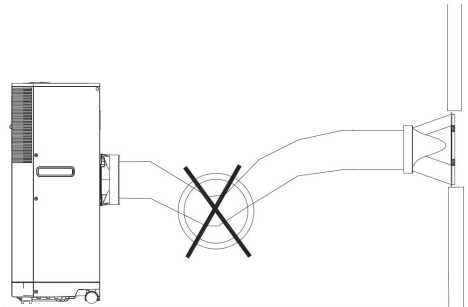


FIG.8

### WARNING!

The length of the exhaust pipe is specially designed according to the specification of this product. Do not replace or prolong it with your own private hose as this could cause the unit to malfunction.

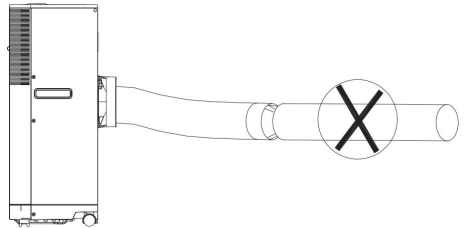


FIG.9

## OPERATION

### Control panel

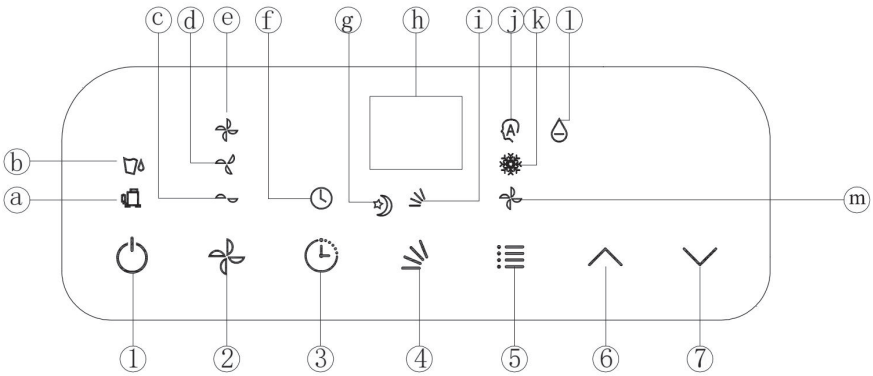


FIG.10

1. ON/OFF (power) soft touch button
2. Speed (ventilation) soft touch button
3. "Timer" soft touch button
4. "Auto Swing" soft touch button, long press for "Sleep"
5. "Mode" selection soft touch button
6. 'Temperature up' soft touch button
7. 'Temperature down' soft touch button

- a. Compressor operation indicator
- b. "Water Full" indicator
- c. Low ventilation indicator
- d. Middle ventilation indicator
- e. High ventilation indicator
- f. "Timer" indicator
- g. "Sleep" indicator
- h. Display window
- i. "Auto Swing" indicator
- j. "Automatic" mode indicator
- k. "Cooling" mode indicator
- l. DEHUMIDIFY(DRY) indicator
- m. "Fan" mode indicator

## Turning ON/OFF

1. Press ON/OFF button, the unit will start automatically, the default temperature is 24°C. The operation goes as below:
  - R.T. (room temperature) > or = 24°C, the unit will work in COOL mode.
  - R.T. < 24°C, the unit will work in FAN (ventilation) mode (fan speed is fixed at LOW, not adjustable).
2. Indicators of the functions in progress come on at the same time. \*NOTE! The display window shows the ambient room temperature from 0°C to 50°C.
3. To turn the unit off, press ON/OFF button again.

## Setting Mode/function

Press MODE button to select required working mode: automatic, cooling, fan, or dehumidify. The indicator of your selected mode comes on.

## Setting Temperature

1. Press 'Temperature up' or 'Temperature down' button to regulate the temperature you desired.
2. The display window will show the temperature you set as you press 'Temperature up' or 'Temperature down' button. Otherwise, it will always show the ambient temperature.
3. The pre-setting temperature of this machine is: 24°C for cooling.

## Setting Ventilation speed

1. Press SPEED button to choose the ventilation speed you need, high, medium or low. The indicator of high, medium or low ventilation will light on at the same time.
2. If the unit is in AUTO mode, it will choose the ventilation speed automatically according to the ambient temperature (the related indicators will light on), at this time, the speed switch is invalid.

## Setting Timer

1. Press TIMER button to set the operating hours you desired (1 to 24 hours, the timer indicator will light on). When the set time has been reached, the machine will turn off automatically. The display window will show the hour(s) you set as you press TIMER button. If the timer button is not pressed, the unit will work continuously.
2. By pressing the timer but without turning on the other functions, you can PRE-SET the time for the machine to work. For example, if you press the timer to '2', the unit will work automatically after 2 hours.

### Auto Swing function

1. Press “Auto Swing” button, the louvers will be Auto-Swing up and down
2. To turn off the “Auto Swing”, press “Auto Swing” again
3. When activating the auto swing function, please don't move the swing louvers manually

### Sleep function

1. In cooling mode, by long pressing the “Auto Swing” button, the set temperature will increase 1°C at the 1st hour, another 1°C at the second hour, then keeps at that temperature.
2. In sleep mode, the ventilation will keep at **low speed**. Long re-press the “Auto Swing” button, the setting temperature and ventilation speed will return to the pre-selected one.
3. The unit will shut down automatically after the SLEEP function running for 12 hours.
4. **Please note, the sleep function is not available while the machine is working in AUTO, FAN (ventilation) or DEHUMIDIFICATION (dry) mode.**
5. **When the machine is in Sleep function, the Fan Speed would turn to be LOW speed.**

### Dehumidify (DRY) mode

In dehumidify (DRY) mode, the temperature cannot be adjusted, the ventilation will fix at low speed. When the unit is operating in Dehumidify (DRY) mode, humidity extracted from the air is collected in an internal tank. If the tank reaches full, the compressor and motor cut out automatically. At the same time, the “Water Full” indicator comes on. An alarm will also sound. When the tank is full, drain the water as shown in the page concerning “DRAINAGE”. You may also use the unit without having to empty the tank so often by using “continuous drainage”, please also refer to the page about “DRAINAGE”.

All the above functions can also be performed with the supplied remote control.

This remote control requires battery CR2032 to operate. **(the battery is NOT INCLUDED)**



FIG.11

### Self-diagnosis

This machine is equipped with self-diagnosis function. If something is wrong in the machine, the display window will show the sign: E1 or E2, which reflects different condition. At this time, please call your service center.

## NOTICE !

1. To prolong the compressor's life, after switch-off of the unit, please wait for 3 minutes (at least) before re-switch.
2. The cooling system will switch off if the ambient temperature is lower than the set one. The ventilation, however, keeps working on the set level. If the ambient temperature rises above the selected level, the cooling will return to work.

## DRAINAGE

During the process of cooling, some water will be extracted from the air into the unit. If the reservoir is full, both of the compressor and motor will stop and the units would buzz (you can press any button to stop the buzz). The W.F. indicator will flash to show you. To make the cooling work again, please empty the water as below via **drain point 1**, which is located at the bottom of the unit:

1. Turn off the air conditioner and avoid moving it when full.
2. Position a container (a water tray for example) underneath the drain hole.
3. Remove the drain knob & rubber plug from the drain hole and allow the water to drain out.
4. When the container is almost full, replace the rubber plug in the drain hole and empty the water tray.
5. Repeat until the unit is emptied.
6. Replace the rubber plug and tighten the drain knob firmly.
7. Switch on the unit - the full water or compressor operating indicator should not be flashing.

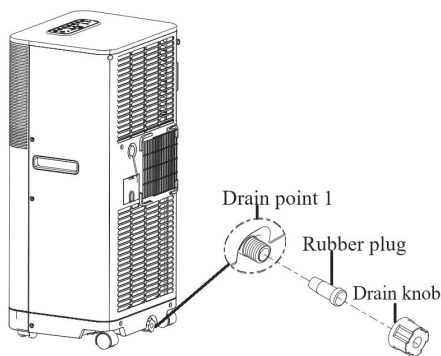


FIG.12

### Continuous drain

In specific damp conditions or when operating in DEHUMIDIFY, you have the option to configure the unit for continuous drainage to minimize the need for frequent tank emptying. Follow these steps:

1. Switch off the unit.
2. Remove the drain knob and rubber plug and retain for future use. (FIG.13)
3. Connect the drain tube supplied to the water outlet as shown and locate the other end into a drain. (FIG.14)

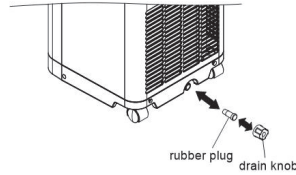


FIG.13

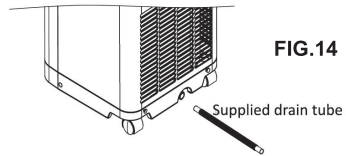


FIG.14

4. The supplied drain tube may be extended by adding an extension tube and using a suitable connector. (FIG.15)

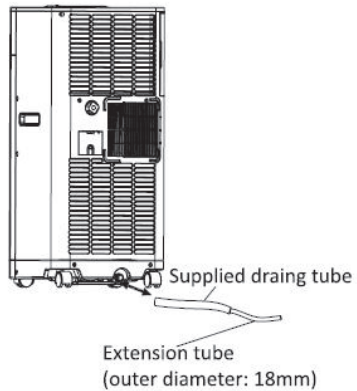


FIG.15

## Drain point 2

For user convenience, this machine is designed with dual drain points. Drain point 2 is positioned higher for easier access.

The installation process is the same as drain point 1.

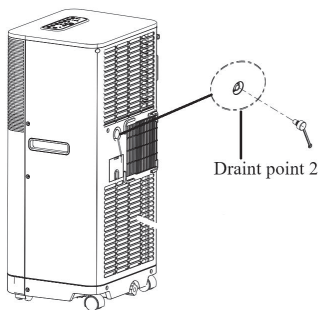


FIG.16

### Please note

1. The drain must be at or below the outlet level.
2. Flashing 'full water' indicator will not function in this mode of drainage.

## MAINTENANCE

**Always unplug the air conditioner from the mains before cleaning.  
To maximize the efficiency of the air conditioner, clean regularly.**

### **Cleaning the housing**

Use a soft, damp cloth to wipe the body clean.

Never use aggressive chemicals, gasoline, detergents, chemically treated cloths, or other cleansing solutions. These all could possibly hurt the cabinet.

### **Cleaning the filter**

Use a vacuum cleaner or tap the filter lightly to remove loose dust and dirt from the filters and then rinse thoroughly under running water (no hotter than 40°C).

Dry thoroughly before replacing.

Notice! Never operate the unit without the filters.

### **End of season storage**

- Drain any water in the unit before completely operating the unit on ventilation only mode for a few hours, to thoroughly dry the inside.
- Clean or change the filter.
- Unplug and store the power cord.
- Replace in the original carton or cover for storage.

## FAULT CHECK LIST

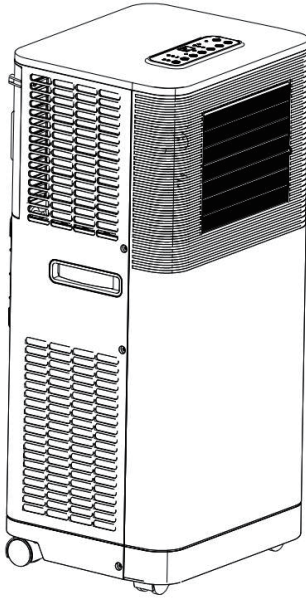
- |                                  |  |
|----------------------------------|--|
| The air conditioner does not run | <ul style="list-style-type: none"><li>• Is the air conditioner plugged in?</li><li>• Is there a power failure?</li><li>• Is the comp / 'full water' indicator flashing?</li><li>• Is the room temperature below the set temperature?</li></ul>                             |
| The machine seems to do little   | <ul style="list-style-type: none"><li>• Is there direct sunshine? (Please put down the curtain.)</li><li>• Are too many windows or doors open?</li><li>• Are there too many people in the room?</li><li>• Is there something in the room producing lots of heat?</li></ul> |
| The machine seems to do nothing. | <ul style="list-style-type: none"><li>• Is the filter dusty, contaminated?</li><li>• Is the air intake or output blocked up?</li><li>• Is the room temperature below your selected temperature?</li></ul>  |
| Too noisy                        | <ul style="list-style-type: none"><li>• Is the machine positioned unevenly so as to create vibration ?</li><li>• Is the floor underneath the machine uneven?</li></ul>   |
| The compressor doesn't run.      | <ul style="list-style-type: none"><li>• It is possible the overheat protection of the compressor is on. Just wait for the temperature to drop.</li></ul>   |

☆ **Never try to repair or dismantle the unit yourself**

# كراون لايبن

مكيف هواء متنقل

كتيب تعليمات التشغيل للموديل PAC-450



CE

المطابقة الأوروبية

يجب قراءة هذه التعليمات والاحتفاظ بها للرجوع إليها في المستقبل



رقم الموديل	PAC-450
مصدر الطاقة	220-240 فولت، 50 هرتز
سعة التبريد	12000 وحدة حرارية بريطانية
استهلاك الطاقة	1300 واط
الضاغط	دوار
غاز التبريد	R410A
سرعة المروحة	3
الموقت	1 إلى 24 ساعة
درجة حرارة التشغيل	18 درجة مئوية - 32 درجة مئوية (تبريد)
أنبوب العادم	القطر 150 × 150 مم
الوزن الصافي	25.1 كجم
حجم المنتج (العرض × العمق × الارتفاع)	330 × 329 × 704 مم
فئة المناخ	T3

## ملاحظة:

1. شروط القياس المذكورة أعلاه مطابقة للمعيار الأوروبي EN 14511: التبريد - درجة حرارة البصيلة الجافة = 35 درجة مئوية ، درجة حرارة البصيلة الرطبة = 24 درجة مئوية درجة حرارة البصيلة الجافة = درجة حرارة الغرفة درجة حرارة البصيلة الرطبة = الرطوبة النسبية.
2. شروط اختبار البيانات الواردة في ملصق التصنيف مطابقة للوائح السلامة: المعيار الأوروبي EN60335-2-40
3. التيار والفيوز: F2AL 250 فولت أو T2AL 250 فولت

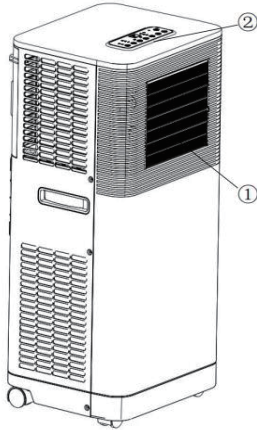
### تحذيرات عامة

- الجهاز مخصص للاستخدام الداخلي فقط.
- عدم إستخدام الجهاز في الخزائن أو المراحيض أو القوارب أو الكرفانات أو ما شاكل ذلك.
- عدم إستخدام الجهاز في حمامات السباحة أو دورات المياه أو المناطق الرطبة المماثلة.
- يجب ترك الجهاز لمدة 12 ساعة قبل توصيله بالتيار الكهربائي بعد النقل أو بعد تصليحه (على سبيل المثال أثناء التنظيف).
- لا يجوز إستخدام الجهاز إلا في وضع رأسي على سطح مستو (حتى أثناء النقل) وعلى مسافة 50 سم على الأقل من أي أجسام.
- عدم إستخدام الجهاز في بيئة قابلة للانفجار تحتوي على سوائل أو غازات أو أغبرة قابلة للاشتعال.
- عدم إستخدام الجهاز بالقرب من مواد أو أنواع وقود قابلة للاشتعال أو الانفجار. وعدم إستخدام أي طلاء أو بخاخات تنظيف أو بخاخات مكافحة الحشرات أو ما يشابهها بالقرب من الجهاز لأن ذلك قد يؤدي إلى تشويه البلاستيك أو التسبب في أضرار كهربائية.
- التأكد من وجود مسافة 50 سم على الأقل بين جوانب الجهاز وأي مواد قابلة للاشتعال أو التسخين.
- عدم وضع أي أجسام على الجهاز أو تثبيت مدخل/مخرج الهواء.
- يجب تجنب تناثر الماء على الجهاز.
- مراقبة الأطفال والحيوانات الأليفة عن كثب أثناء استخدام الجهاز.
- يمكن للأطفال الذين تتراوح أعمارهم بين 8 سنوات فما فوق والأشخاص ذوى القدرات البدنية أو الحسية أو العقلية المنخفضة أو عديمي الخبرة والمعرفة إستخدام هذه المروحة حال الإشراف عليهم أو تزويدهم بالإرشادات المتعلقة باستخدام المروحة بطريقة آمنة وفهم المخاطر التي ينطوي عليها هذا الامر.
- منع الأطفال من العبث بالجهاز.
- لا يجوز للأطفال القيام بأعمال التنظيف والصيانة من دون إشراف.
- يجب إيقاف تشغيل الجهاز وفصله عن التيار الكهربائي عند عدم استخدامه.
- عدم ترك الجهاز يعمل من دون إشراف.
- عدم سحب الجهاز من سلكه.
- تجنب الإفراط في لف أو التواء أو سحب سلك التيار الكهربائي وعدم إستخدام أسلاك من النايلون أو الحديد لتمديد سلك التيار الكهربائي.
- التأكد من أن القابس والمقبس ظاهران ويمكن الوصول إليهما بسهولة في جميع الاوقات.
- عدم إستخدام أسلاك توصيل.
- عدم محاولة استعادة الجهاز إذا سقط في الماء. وفي هذه الحالة يجب فصل القابس على الفور وفحص الجهاز قبل استخدامه مرة أخرى.
- في حالة تلف سلك التيار الكهربائي، يجب استبداله من خلال فني كهربائي أو شخص مؤهل لتجنب المخاطر.
- يجب أن يتوافق مصدر التيار الكهربائي الرئيسي مع المواصفات الموضحة على لوحة التصنيف في الجزء الخلفي من الجهاز.
- يجب تركيب الجهاز وفق اللوائح الوطنية للتوصيلات الكهربائية.
- عدم تجاوز مساحة الغرفة الموصى بها لتحقيق أقصى قدر من الكفاءة.
- يجب إغلاق الأبواب والنوافذ.
- إبقاء الستائر أو الستائر الحاجبة مغلقة خلال ساعات النهار الأكثر إشراقاً .
- يجب المحافظة على نظافة الفلاتر.
- بمجرد وصول الغرفة إلى الظروف المطلوبة، يجب خفض درجة الحرارة والتهوية.
- عدم تشغيل الجهاز في حالة إكتشاف أي تلف فيه أو في السلك أو القابس أو وجود خلل فني أو كانت هناك علامات تدل على وجود أي عيوب أخرى. يجب إعادة الجهاز كاملاً إلى البائع أو إلى فني كهربائي معتمد لغايات الفحص و/أو الإصلاح. كما يجب دائماً طلب قطع الغيار الأصلية. ولا يجوز فتح الجهاز (بما في ذلك السلك والقابس) و/أو إصلاحه إلا من خلال أشخاص معتمدين ومؤهلين حسب الأصول.
- نقترح إرسال الجهاز للصيانة المهنية بشكل دوري.
- الفني المرخص له هو الجهة الوحيدة المسموح لها بتفكيك الجهاز أو تعديله.
- لا يجوز إستخدام الجهاز إلا للغرض المخصص له. ويعتبر أي استخدام آخر بمثابة سوء استخدام. ويكون المستخدم/المشغل وليس الشركة المصنعة، مسؤولاً عن أي أضرار أو إصابات من أي نوع ناتجة عن هذا الامر.

- هذا الجهاز غير مخصص لإستخدام أشخاص (بما فيهم الأطفال) ذوي قدرات بدنية أو حسية أو عقلية محدودة أو عديمي الخبرة والمعرفة ما لم يشرف عليهم شخص مسؤول عن سلامتهم أو يصدر إليهم توجيهات بشأن استخدام الجهاز. كما يجب الإشراف على الأطفال على الأطفال بما يضمن عدم قيامهم بالعبث بالجهاز.

## الأجزاء

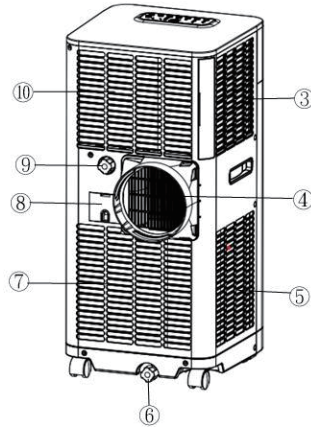
### الجهة الامامية



الشكل (1)

1. مخرج الهواء
2. لوحة التحكم

### الجهة الخلفية



الشكل (2)

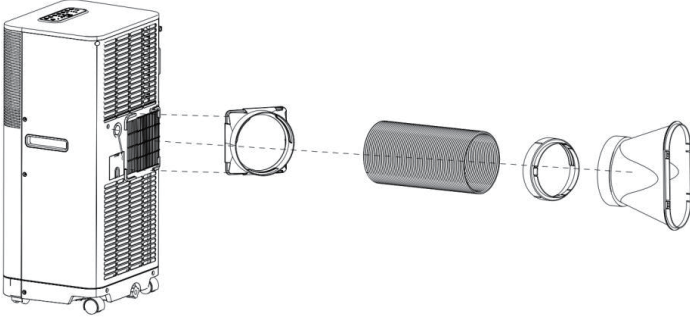
3. مدخل الهواء
4. مخرج هواء العادم
5. مدخل الهواء
6. سداة الماء/نقطة التصريف ١
7. مدخل الهواء
8. تخزين السلك
9. سداة الماء/نقطة التصريف ٢
10. مدخل الهواء



## التركيب

هذا الجهاز عبارة عن مكيف هواء محمول يمكن نقله من غرفة لأخرى. وقبل استخدام مكيف الهواء، سيحتاج المستخدم إلى تركيب أنبوب العادم لإخراج الحرارة المكثفة من الجهاز إلى منطقة خارجية مفتوحة. ولتركيب أنبوب العادم، يجب تمرير نهاية الأنبوب عبر أي نافذة متاحة وتثبيته في مكانه باستخدام المحول الموجود ضمن الجهاز. كما يجب التأكد من أن المسافة بين الجهاز والنافذة لا تقل عن 50 سم.

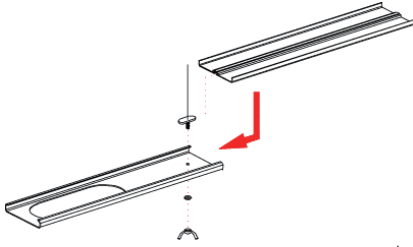
### ● تركيب محولات وخرطوم على الجهاز



الشكل (4)

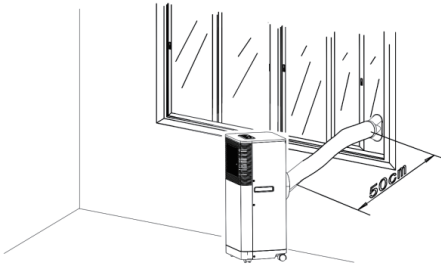
### ● تركيب شريحة النافذة (إذا كانت متضمنة):

#### 1. تجميع مجموعة قطع النافذة



الشكل (5)

2. فتح النافذة وإدخال شرائح النافذة في الفجوة المفتوحة.
3. إغلاق النافذة إلى أن يتم تثبيت مجموعة قطع النوافذ بإحكام. وقد يحتاج المستخدم إلى تعديل حجم مجموعة قطع النوافذ وتثبيتها بالبراغي. كما يمكن أيضا استخدام هذه التقنية مع النوافذ المنزقة.
4. ربط الجهاز (مع الخرطوم والمحول) بمجموعة قطع النافذة.

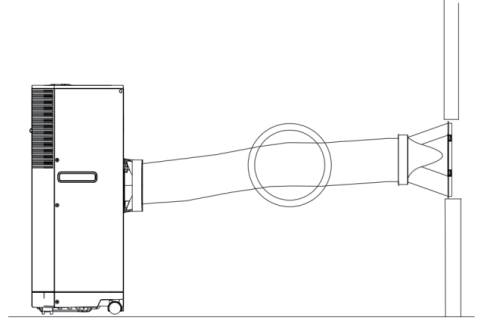


الشكل (6)

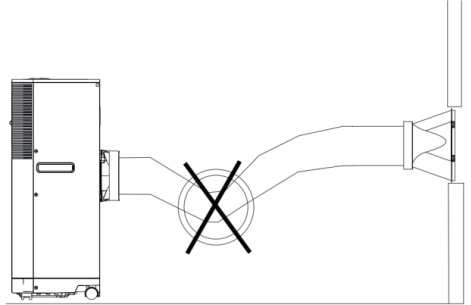
تنبيه! يجب الحرص على حماية الجهاز من المتطفلين.

### تركيب أنبوب العادم

- يجب استخدام الخرطوم المرفق فقط ومن ثم تركيب خرطوم العادم في الجزء الخلفي من مكيف الهواء.
- ضرورة تجنب الالتواءات والانحناءات في خرطوم العادم لأن ذلك يؤدي إلى تراكم الهواء الرطب مما يتسبب في ارتفاع درجة حرارة الجهاز وتوقفه عن العمل. الشكل 7 يبين الوضع الصحيح.
- يمكن تمديد الخرطوم من 300 مم إلى 1500 مم، ولكن لتحقيق أقصى كفاءة، يجب استخدام أقصر طول ممكن.



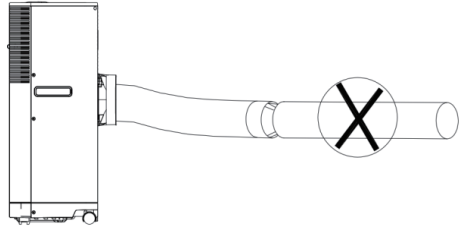
الشكل (7)



الشكل (8)

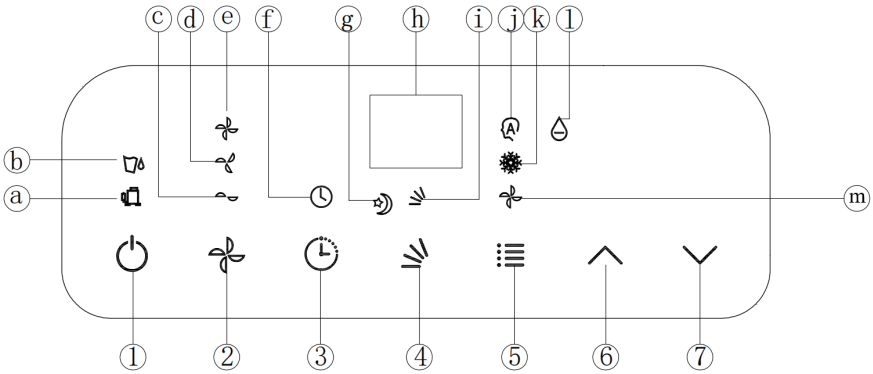
### تحذير

طول أنبوب العادم مصمم خصيصا وفق مواصفات هذا الجهاز. ويجب عدم إستبداله أو إبطالته بخرطوم خاص بالمستخدم لأن ذلك قد يؤدي إلى تعطل الجهاز.



الشكل (9)

## لوحة التحكم



## الشكل (10)

1. زر تشغيل/إيقاف (الطاقة) بلمسة ناعمة
  2. زر سرعة (التهوية) بلمسة ناعمة
  3. زر "المؤقت" بلمسة ناعمة
  4. زر "التأرجح التلقائي" بلمسة ناعمة ، الضغط مطولاً لوضع "السكون"
  5. زر اختيار "الوضع" بلمسة ناعمة
  6. زر "رفع درجة الحرارة" بلمسة ناعمة
  7. زر "خفض درجة الحرارة" بلمسة ناعمة
- a. مؤشر تشغيل الضاغط
  - b. مؤشر "امتلاء الماء"
  - c. مؤشر تهوية منخفضة
  - d. مؤشر تهوية متوسطة
  - e. مؤشر تهوية عالية
  - f. مؤشر "المؤقت"
  - g. مؤشر "السكون"
  - h. نافذة العرض
  - i. مؤشر "التأرجح التلقائي"
  - z. مؤشر الوضع "التلقائي"
  - k. مؤشر وضع "التبريد"
  - ا. مؤشر إزالة الرطوبة (التجفيف)
  - m. مؤشر وضع "المروحة"

## التشغيل/الإيقاف

1. الضغط على زر التشغيل/الإيقاف ليبدأ الجهاز بالعمل تلقائياً و تكون درجة الحرارة الافتراضية 24 درجة مئوية. وتجري عملية التشغيل على النحو الآتي:
  - درجة حرارة الغرفة < أو = 24 درجة مئوية، يعمل الجهاز في وضع التبريد.
  - درجة حرارة الغرفة > 24 درجة مئوية، يعمل الجهاز في وضع التهوية (سرعة المروحة ثابتة على وضع "منخفض" غير قابلة للتعديل).
2. تضسي مؤشرات الوظائف قيد التشغيل في نفس الوقت. \*تنبيه! تقوم نافذة العرض بإظهار درجة حرارة الغرفة المحيطة من صفر درجة مئوية إلى 50 درجة مئوية.
3. لإيقاف تشغيل الجهاز ، يجب الضغط على زر التشغيل/الإيقاف مرة أخرى.

## ضبط الوضع/الوظيفة

الضغط على زر "الوضع" لاختيار وضع التشغيل المطلوب: تلقائي أو تبريد أو مروحة أو إزالة الرطوبة. وسيضيء مؤشر الوضع الذي تم اختياره.

## ضبط درجة الحرارة

1. الضغط على زر "رفع درجة الحرارة" أو "خفض درجة الحرارة" لضبط درجة الحرارة المطلوبة.
2. تظهر نافذة العرض درجة الحرارة التي تم تحديدها عند الضغط على زر "رفع درجة الحرارة" أو "خفض درجة الحرارة". وإلا ستظهر درجة الحرارة المحيطة دائماً.
3. درجة الحرارة المعدة مسبقاً لهذا الجهاز هي: 24 درجة مئوية للتبريد.

## ضبط سرعة التهوية

1. الضغط على زر "السرعة" لاختيار سرعة التهوية المناسبة سواء كانت عالية أو متوسطة أو منخفضة. وسيضيء مؤشر التهوية العالية أو المتوسطة أو المنخفضة في نفس الوقت.
2. يقوم الجهاز إذا كان في الوضع التلقائي باختبار سرعة التهوية تلقائياً حسب درجة الحرارة المحيطة (ستضيء المؤشرات ذات العلاقة). وفي هذا الوقت يكون مفتاح السرعة غير صالح.

## ضبط المؤقت

1. الضبط على زر "المؤقت" لضبط ساعات التشغيل المطلوبة (من ساعة إلى ٢٤ ساعة وسيضيء مؤشر المؤقت). وعند الوصول إلى الوقت المحدد، ينطفئ الجهاز بشكل تلقائي. وتقوم نافذة العرض بإظهار الساعات التي تم ضبطها عند الضغط على زر "المؤقت". وإذا تعذر الضغط على زر "المؤقت"، يعمل الجهاز بشكل مستمر.
2. بالضغط على المؤقت من دون تشغيل الوظائف الأخرى، يمكن ضبط وقت عمل الجهاز مسبقاً. على سبيل المثال، في حالة الضغط على المؤقت على "٢"، يعمل الجهاز تلقائياً بعد ساعتين.

## وظيفة التآرج التلقائي

1. الضغط على زر "التآرج التلقائي"، وعندها تتحرك فتحات التهوية تلقائياً إلى أعلى وإلى أسفل.
2. لإيقاف وظيفة "التآرج التلقائي"، يجب الضغط عليها مرة أخرى.
3. عند تفعيل وظيفة التآرج التلقائي، يرجى عدم تحريك فتحات التهوية يدوياً.

## وظيفة السكون

1. في وضع التبريد، بالضغط مطولاً على زر "التآرج التلقائي"، ترتفع درجة الحرارة المحددة درجة مئوية واحدة في الساعة الأولى ودرجة مئوية واحدة أخرى في الساعة الثانية ثم تبقى ثابتة.
2. في وضع السكون، تظل التهوية على سرعة منخفضة. وبالضغط مطولاً على زر "التآرج التلقائي"، تعود درجة الحرارة وسرعة التهوية إلى السرعة المحددة مسبقاً.
3. يتوقف الجهاز عن العمل تلقائياً بعد 12 ساعة من تشغيل وظيفة السكون.
4. يرجى ملاحظة أن وظيفة السكون غير متاحة أثناء تشغيل الجهاز في وضع التشغيل التلقائي أو وضع التهوية (المروحة) أو وضع إزالة الرطوبة (التجفيف).
5. عند تشغيل الجهاز في وضع السكون، تتغير سرعة المروحة إلى السرعة المنخفضة.

## وضع إزالة الرطوبة (التجفيف)

لا يمكن تعديل درجة الحرارة في وضع إزالة الرطوبة (التجفيف) حيث تكون التهوية على سرعة منخفضة. وعند تشغيل الجهاز في وضع إزالة الرطوبة (التجفيف) ، يتم تجميع الرطوبة المستخرجة من الهواء في خزان داخلي. وفي حالة امتلاء الخزان، يتوقف الضاغط والمحرك تلقائياً. وفي ذات الوقت ، يضيء مؤشر "امتلاء الخزان" ويصدر صوت إنذار. وعند امتلاء الخزان، يجب تصريف الماء كما هو موضح في صفحة "التصريف". ويمكن أيضاً استخدام الجهاز من دون الحاجة إلى تفريغ الخزان كثيراً باستخدام "التصريف المستمر" ، يرجى مراجعة صفحة "التصريف"

يمكن أيضاً تشغيل جميع الوظائف المذكورة أعلاه باستخدام جهاز التحكم عن بعد المرفق. ويتطلب هذا الجهاز للعمل بطارية CR2032 . (البطارية غير متضمنة).



الشكل (11)

## التشخيص الذاتي

هذا الجهاز مزود بخاصية التشخيص الذاتي. وفي حال وجود أي عطل في الجهاز ، تظهر على شاشة العرض العلامة **E1** أو **E2** مما يشير إلى حالة مختلفة. وفي هذه الحالة، يرجى الاتصال بمركز الخدمة.

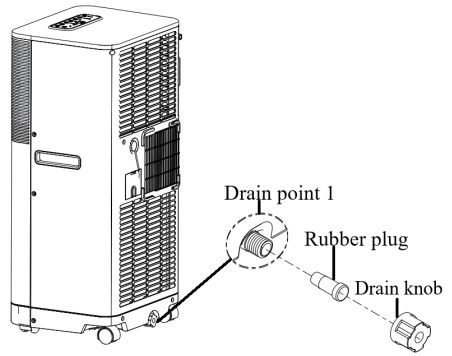
## تنبيه!

1. لإطالة عمر الضاغط ، يرجى الانتظار 3 دقائق (على الأقل) بعد إيقاف تشغيل الجهاز قبل إعادة تشغيله.
2. يتوقف نظام التبريد عن العمل إذا انخفضت درجة الحرارة المحيطة عن الدرجة المحددة. ومع ذلك، تستمر التهوية في العمل على الدرجة المحددة. وإذا ارتفعت درجة الحرارة المحيطة عن الدرجة المحددة، يعود نظام التبريد إلى العمل.

## التصريف

يتم أثناء عملية التبريد سحب بعض المياه من الهواء إلى الجهاز. وإذا امتلأ الخزان، يتوقف كل من الضاغط والمحرك ويصدر الجهاز صوت أزيز (يمكن الضغط على أي زر لإيقاف الصوت). ويومض مؤشر امتلاء الخزان لإظهار هذا الأمر. ولإعادة تشغيل التبريد، يرجى تفريغ الماء كما هو موضح أدناه عبر نقطة التصريف (1) الموجودة أسفل الوحدة:

1. إيقاف تشغيل مكيف الهواء وتجنب تحريكه عند امتلائه.
2. وضع وعاء (مثل وعاء ماء) أسفل فتحة التصريف.
3. نزع مقبض التصريف والسداد المطاطية من فتحة التصريف وترك الماء يتسرب.
4. عند قرب امتلاء الوعاء، يجب إعادة السداد المطاطية إلى فتحة التصريف وتفريغ وعاء الماء.
5. تكرار العملية إلى أن يصبح الجهاز فارغاً.
6. إعادة السداد المطاطية وإحكام ربط مقبض التصريف.
7. تشغيل الجهاز - يجب ألا يومض مؤشر امتلاء الماء أو مؤشر تشغيل الضاغط.

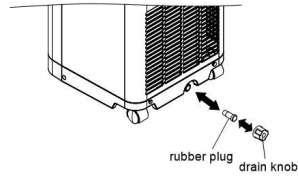


الشكل (12)

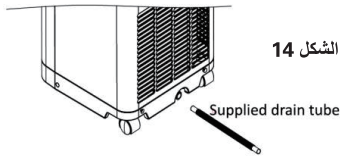
### تصريف مستمر

في ظروف الرطوبة المحددة أو عند التشغيل في وضع إزالة الرطوبة، يمكن ضبط الجهاز للتصريف المستمر لتقليل الحاجة إلى تفريغ الخزان بشكل متكرر. يجب إتباع الخطوات التالية:

1. إيقاف تشغيل الجهاز.
2. نزع مقيض التصريف والسدادة المطاطية والإحتفاظ بهما للاستخدام في وقت لاحق. (الشكل ١٣).
3. توصيل أنبوب التصريف بمخرج الماء كما هو موضح، ثم إدخال الطرف الآخر في فتحة التصريف. (الشكل ١٤)

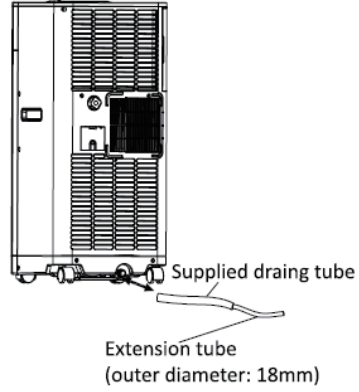


الشكل 13



الشكل 14

4. يمكن تمديد أنبوب التصريف المرفق عن طريق إضافة أنبوب تمديد واستخدام موصل مناسب. (الشكل 15)

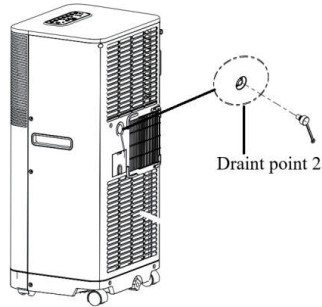


الشكل 15

## نقطة التصريف 2

من أجل راحة المستخدم، جرى تصميم هذا الجهاز على أساس أن يكون مزودا بنقطة تصريف. وتوجد نقطة التصريف ٢ في مكان أعلى ليسهل الوصول إليها.

طريقة التركيب مماثلة لنقطة التصريف ١.



الشكل 16

يرجى ملاحظة:

1. أن يكون مستوى التصريف عند مستوى المخرج أو أسفله.
2. عدم عمل مؤشر "امتلاء الماء" الواضخ في وضع التصريف هذا.

يجب فصل مكيف الهواء دائما عن التيار الكهربائي قبل التنظيف. و للحصول على أقصى كفاءة، يجب تنظيفه بانتظام.

#### تنظيف الهيكل

إستخدام قطعة قماش ناعمة ورطبة لمسح الهيكل.  
تجنب استخدام المواد الكيميائية القوية أو البنزين أو المنظفات أو الأقمشة المعالجة كيميائيا أو أي محاليل تنظيف أخرى.  
وقد تؤدي كل هذه المواد إلى إلحاق ضرر بالهيكل.

#### تنظيف الفلتر

يجب إستخدام مكنسة كهربائية أو النقر برفق على الفلتر لإزالة الغبار والأوساخ العالقة به ثم شطفه جيدا بالماء الجاري (ألا تزيد درجة حرارته عن 40 درجة مئوية).  
تجفيفه جيدا قبل إعادة تركيبه.

تنبيه: عدم تشغيل الجهاز على الإطلاق من دون الفلتر.

#### تخزين نهاية الموسم

- تصريف أي مياه في الجهاز قبل تشغيله بالكامل على وضع التهوية فقط لبضع ساعات لغايات تجفيفه تماما من الداخل.
- تنظيف أو تغيير الفلتر.
- فصل سلك التيار الكهربائي وتخزينه.
- إعادة الجهاز الى صندوقه الكرتوني أو غطائه الأصلي بغرض التخزين.

قائمة فحص الأعطال	
هل مكيف الهواء موصول بالكهرباء؟	مكيف الهواء لا يعمل
هل هناك انقطاع في التيار الكهربائي؟	
هل مؤشر التكييف/امتلاء الماء يومض؟	
هل درجة حرارة الغرفة أقل من درجة الحرارة المضبوطة؟	
هل هناك ضوء شمس مباشر؟ (يرجى إززال الستارة).	يبدو أن الجهاز لا يقوم بعمل الكثير
هل هناك نوافذ أو أبواب كثيرة مفتوحة؟	
هل يوجد عدد كبير من الأشخاص في الغرفة؟	
هل هناك شيء في الغرفة تصدر منه حرارة عالية؟	
هل وضع الجهاز غير متساو بحيث يسبب إهتزازا؟	الجهاز يصدر أصوات مزعجة للغاية
هل الأرضية أسفل الجهاز غير مستوية؟	
من المحتمل أن يكون نظام الحماية من ارتفاع درجة حرارة الضاغط في حالة تشغيل. يجب الإنتظار حتى تنخفض درجة الحرارة.	الضاغط لا يعمل

على المستخدم عدم القيام على الإطلاق بإصلاح أو تفكيك الجهاز بنفسه

